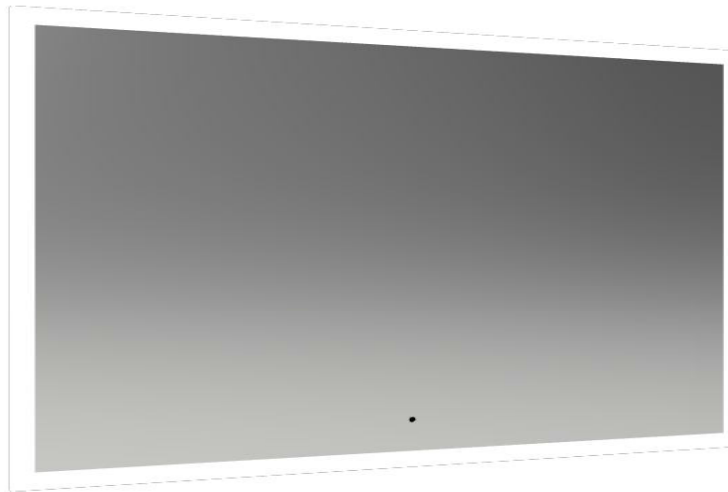


## STARLIGHT INSTALLATION INSTRUCTIONS

Please read these instructions first. We reserve the right to change product specifications due to possible technical improvements.



## STARLIGHT INSTALLATION INSTRUCTIONS

### 1. Warnings and precautions for use regarding the electrical connections.

Our products must be used indoors only. The electricity connection and possible subsequent electric interventions must only be done by a qualified electrician who will operate in accordance with the country instructions and current regulations in terms of electricity.

Should the external flexible cable or cord of this appliance be damaged, it shall be exclusively replaced by the manufacturer or his service center Agent or a similar qualified person in order to avoid any hazard.

### Sensor switch instructions:

- Wave your hand in front of the sensor on the mirror face to turn the mirror on and off
- When the mirror is on, hold your hand in front of the infrared sensor to adjust the intensity of the light (0% - 100% and vice versa), when the desired intensity is reached, remove your hand and the sensor "saves" the chosen value and subsequent switch-ons will always have the same intensity.
- When the mirror lighting is off, keep your hand in front of the sensor, after a few seconds the mirror turns on automatically and changes the color temperature of the light from 3000 to 6000K and vice versa. When the preferred color temperature has been reached, remove your hand and the sensor "saves" the color temperature and subsequent switch-ons will always have the same Kelvin temperature

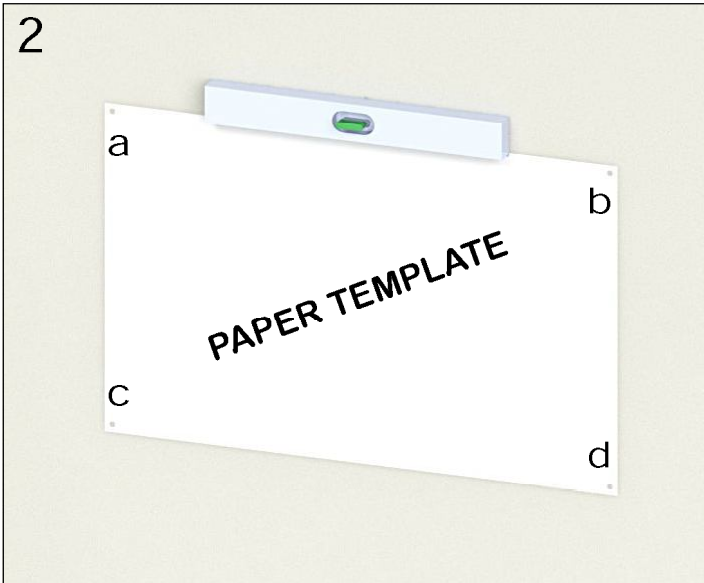


Appliance not suitable for being covered with thermal insulation material.



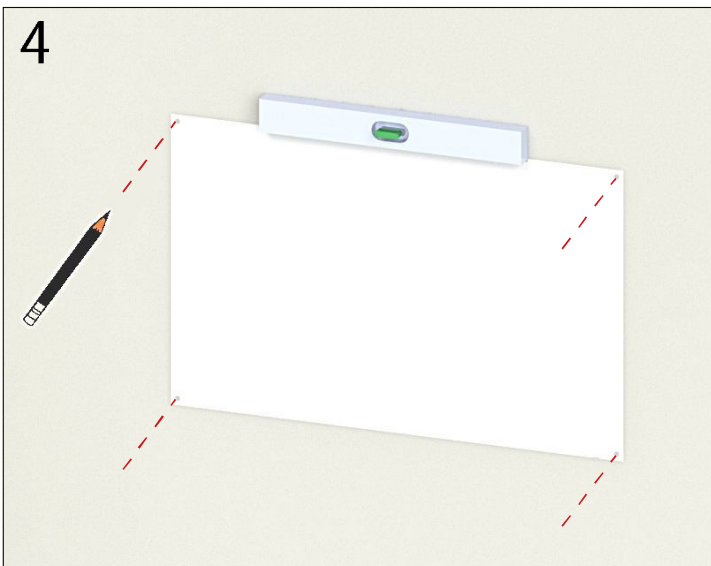
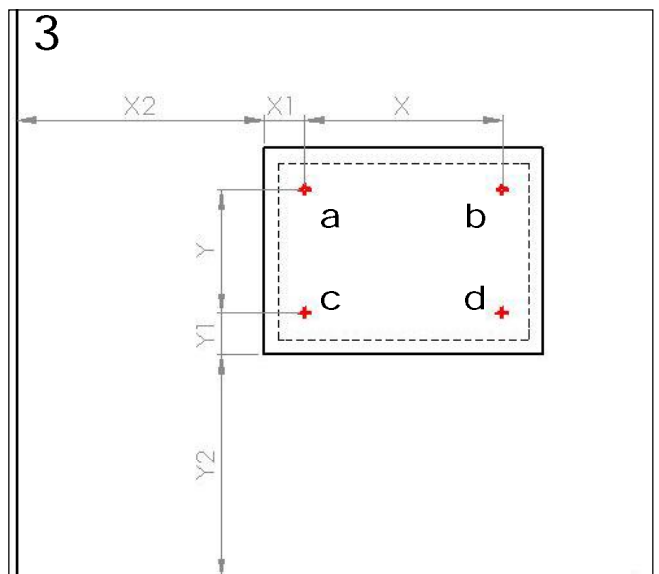
Appliance for indoor use only.

## STARLIGHT INSTALLATION INSTRUCTIONS



2. In order to facilitate installation we have included a paper template to drill the holes in the wall.

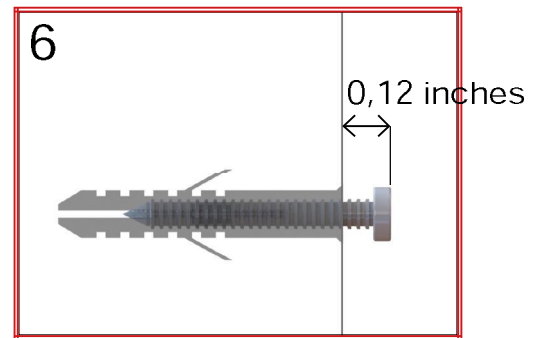
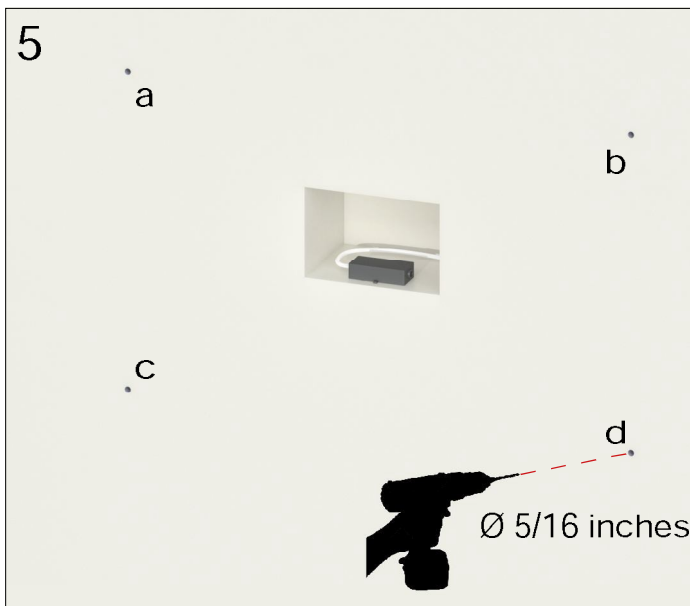
3. Unfold the paper template and apply on the mirror back to ensure that the holes match up.



4. Tape the paper template to the wall taking into consideration the position of the mounting holes and the mirror edge. With a level, position the template so that it is perfectly level.

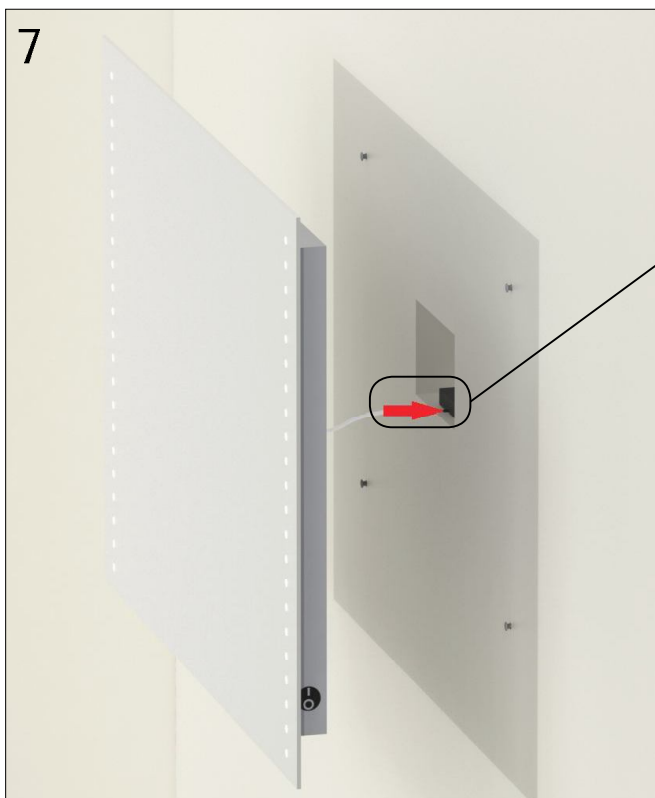
## STARLIGHT INSTALLATION INSTRUCTIONS

**5.** Ensure that there are no water pipes or electrical wiring behind the fixing points.

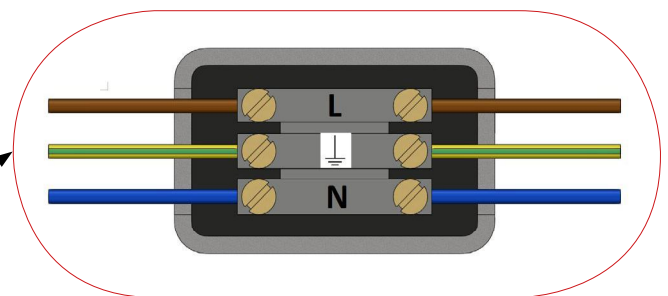


a-b-c-d

**6.** Drill and insert the screw anchors suited to the type of wall to which the mirror will be fixed (only screws in the case of wood studs).



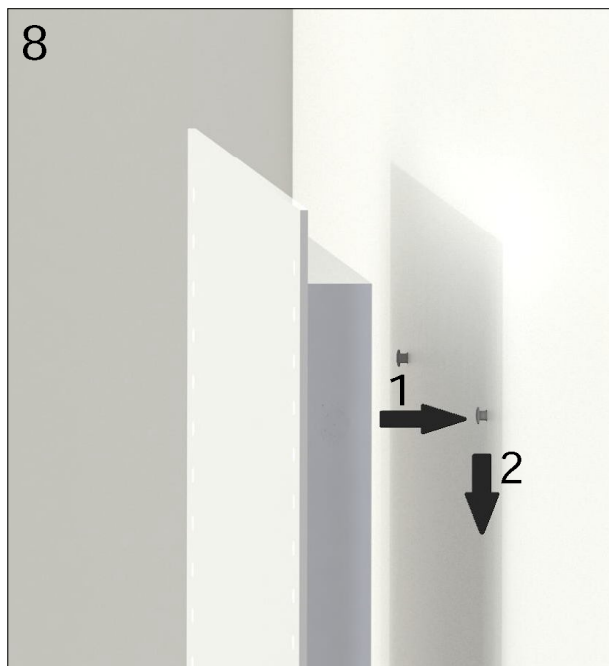
WIRING DIAGRAM



**7.** Connect the mirror wiring in an IP44 approved connector box (not included) which can be inserted into the wall anywhere behind the cabinet mirror.

## STARLIGHT INSTALLATION INSTRUCTIONS

8. Hang the mirror.



## **STARLIGHT INSTALLATION INSTRUCTIONS**

### **Operating Instructions:**

- The demisting function is ON only when the mirror is illuminated.

### **Product Care:**

- Do not use abrasives or solvents when cleaning the mirror.
- Clean off all the water as soon as possible using a soft, damp cloth so that to avoid stains on the surface.

### **Product Life :**

At the end of its useful life, entrust the unit to the local waste disposal company.